

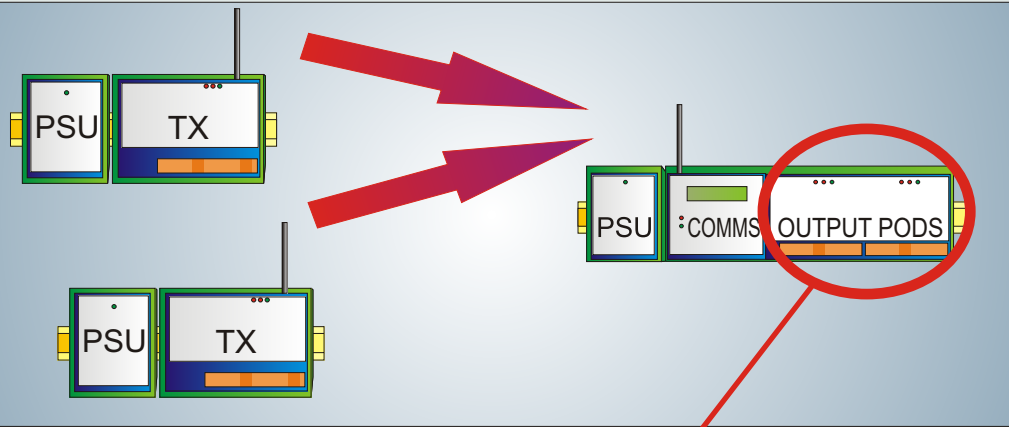
Family Landmarka

Product Receiver 2 channel expansion pod OEM

Description Receiver extension module for adding 2 transmitter channels

Part Number 3735.0 2 channel output extension

Variants

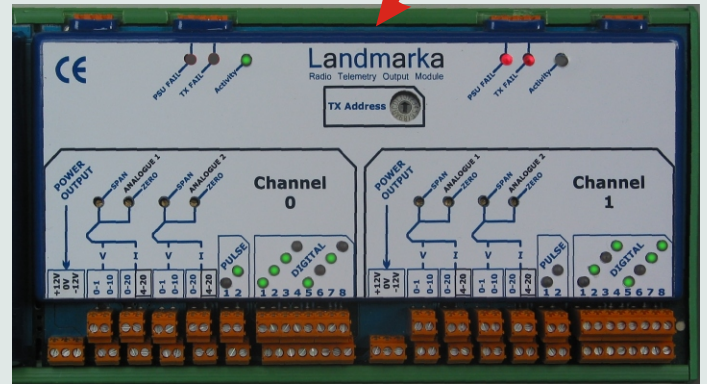


The '2 channel output module' provides mimic outputs for one or two Landmarka radio transmitters. Essentially it provides outputs which copy the corresponding transmitter's inputs and makes the system behave as if it were a directly wired multicore cable - what you put in, you get out the other end.

It is housed in a DIN rail carrier and up to eight modules can be connected together by means of a serial cable.

Calibration is achieved by driving the unit from the Communications module and measuring the outputs - no other equipment such as laptops or hand-held terminals are required.

Addressing is set by a rotary switch position.



Each analogue channel can output their signal as a non-isolated voltage or current, or as an isolated 4-20mA signal. It is possible to use the equipment to convert a voltage input (at the transmitter) into a corresponding current output. Digital outputs can be configured as Normally-ON or Normally-OFF, and, should a transmitter fail, can optionally hold their last value or fail safe.

Specification

Capacity: Provides mimic outputs for 2 transmitters.

Outputs: For each transmitter (2 channels supplied):

- 8 VOLT-FREE ISOLATED DIGITAL
- 2 VOLT-FREE ISOLATED PULSES
- 2 ANALOGUE (0-1V, 0-10V, 0-20mA, OR 4-20mA ISOLATED)

Accuracy: 10 A/D as standard [$<0.1\%$]

System Health: Transmitter fail (volt-free isolated output)
Transmitter PSU low (volt-free isolated output)

Indicator LEDs: For each transmitter (2 channels supplied):

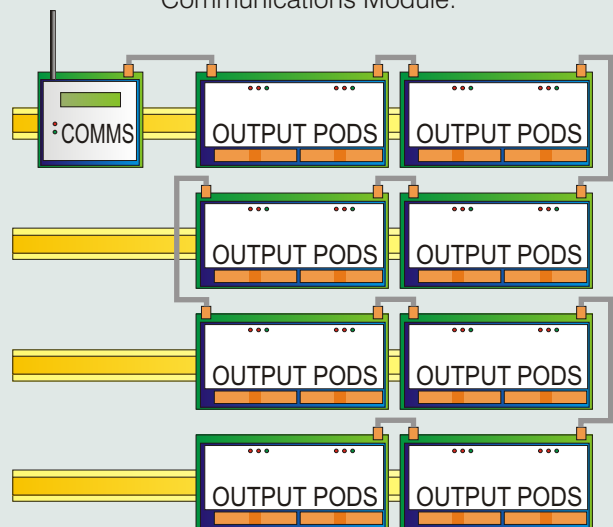
- 8 DIGITAL LED INDICATORS
- 2 PULSE LED INDICATORS
- TRANSMITTER COMMUNICATION FAIL LED
- TRANSMITTER PSU FAIL LED
- TRANSMITTER CHANNEL RECEIVING LED

Loop supply: -12V, 0V, and 12V for each channel

Addressing: Rotary switch selectable

Power Supply: 24V D.C. 600mA

Expansion: Can be 'daisy chained' using a 3-wire serial link. The maximum system size is 16 transmitter outputs from any one Receiver Communications Module.



Product Files

